

PRODUCT INFORMATION

PROSEP
FILTER SYSTEMS

Type 59 single cartridge vessel



Designed for BB style cartridges

This product series is designed to accept industry standard depth and pleated cartridges that have an outside diameter of 108 mm and cartridge lengths of 10", 20" or 30".

The 59 Series is an intermediate size range between the standard single cartridge vessel range and multiple cartridge vessels, and will give flow rates up to 4 cu m/hr. depending on the filter cartridge fitted.

Construction is in 316L for all wetted parts. Access to the filter cartridges is via a quick release vee band style clamp

STANDARD CARTRIDGE OPTIONS

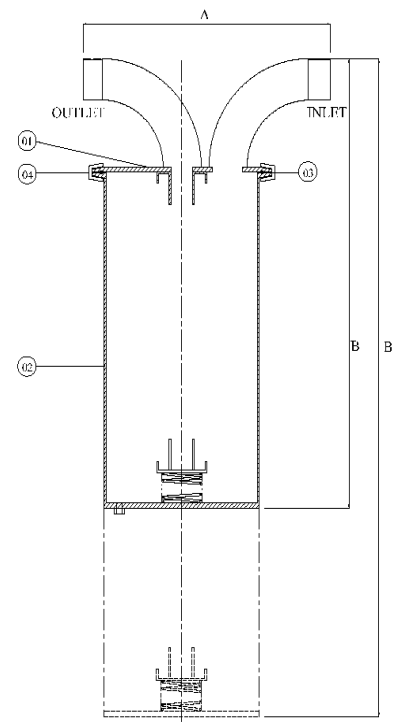
Type	Microns	Length
Wound Polypropylene:	1-100 m	10-30"
Spun Bonded Polypropylene:	1-50 m	10-20"
Pleated Polyester:	5-50 m	10-20"
Activated Carbon:	N/A	10-20"
Powdered Carbon Block:	0.6-10 m	10-20"

SPECIFICATION

Material:	316L Stainless steel for wetted parts
Pressure:	10 bar
Temp:	110 degrees C
Connection Sizes:	3/4" & 1"
Connection types:	BSP, Triclamp, RJT
Seal:	EPDM, viton

STANDARD VESSEL RATED 10 BARG @ 110 DEG C

Part No	Element	Connection	A	B	Seal
590110AE	10"	1" BSPM	246mm	409mm	EPDM
590111AE	10"	1 1/4" BSPM	246mm	409mm	EPDM
590210AE	20"	1" BSPM	246mm	740mm	EPDM
590211AE	20"	1 1/4" BSPM	246mm	740mm	EPDM
590310AE	30"	1" BSPM	246mm	985mm	EPDM
590311AE	30"	1 1/4" BSPM	246mm	985mm	EPDM



Prosep Filter Systems Ltd
Unit G19, River Bank Way,
Lowfields Business Park, Elland,
West Yorkshire HX5 9DN

Phone: 01422 377367
Fax: 01422 377369
email: sales@prosep.co.uk
www.prosep.co.uk

for all your filter requirements