

PRODUCT INFORMATION

High Flow Cartridge Filter Housing - Non-Metallic



Applications

- Whole house filtration
- Commercial filtration
- Industrial filtration
- Pre-filtration for reverse osmosis equipment
- Community water systems
- Sea Water applications due to their non-corrosive construction
- Replacement for bag filters more filter area
- Replacement for multiple cartridge filters for greater convenience
- Water for livestock and poultry

Rugged Construction

Filter housings are made of rugged, glass-reinforced polypropylene so they will not chip, rust or dent. And because all wetted surfaces are non-metallic, they are ideal when chemical compatibility is an issue and for sea water applications

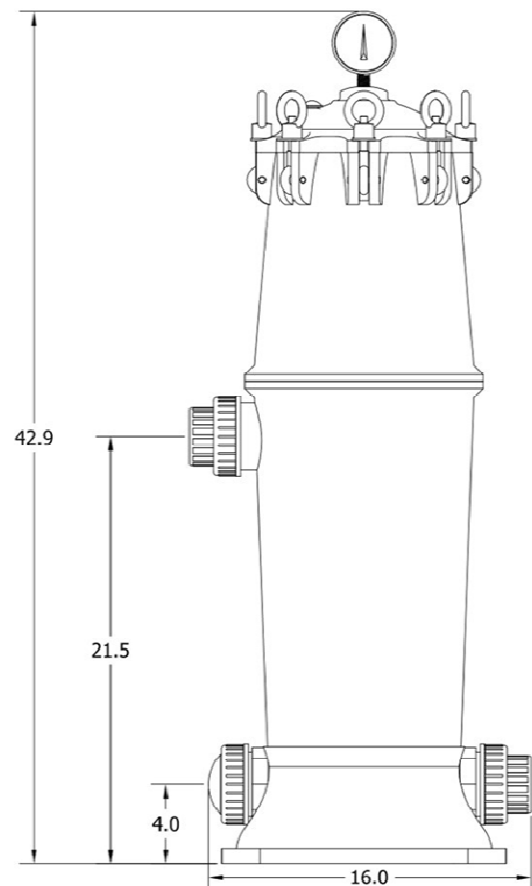
Low Cost

Filters are an economical replacement for stainless steel filtration equipment because of their non-metallic construction and today's high cost of stainless steel

Fast Cartridge changeout

1. Remove swing bolts
2. Remove lid
3. Turn cartridge 1/4 turn and remove

Optional activated carbon cartridge to remove Chlorine, bad tastes, foul odours and sediment



Prosep Filter Systems Ltd
Unit G19, River Bank Way,
Lowfields Business Park, Elland,
West Yorkshire HX5 9DN

Phone: 01422 377367
Fax: 01422 377369
email: sales@prosep.co.uk
www.prosep.co.uk

for all your filter requirements

High Flow Filter Housings Non-Metallic

High Flow Cartridges Housings

High Flow Cartridges

SPECIFICATIONS	DATA
Body (all wetted surfaces)	Glass reinforced PP
Cartridge end caps	Glass reinforced PP
Swing bolts	304 Stainless Steel
O-rings (cartridges)	EPDM (Viton optional)
O-ring (lid)	EPDM (Viton optional)
Pipe fittings	2" slip
Overall height	40"
Width (vessel OD)	12"

SPECIFICATIONS	DATA
Maximum flow rate	150 GPM* (36 M3/hr)
Maximum flow (carbon)	15 GPM
Maximum flow (1 Absolute)	50 GPM
Maximum temperature	125°F (52°C) @ 80 psi
Maximum working pressure	125 psi (8.75 bar)
Burst test	300 psi
Cycle test	100,000

*Dependent on micron rating, solids content and other factors.
Please see pressure drop chart below.

Low Pressure Drop

High Flow Cartridge Filter Housings are designed to minimise pressure drop, by using 2" pipe fittings and large diameter centre tubes (see chart at right for pressure drop data using pleated cartridges.)

High Flow Cartridge Filter Specifications

	PLEATED	DEPTH	ACTIVATED CARBON
Media	PP	PP	Activated Carbon
End caps	PP + FG	PP + FG	PP
Centre tubes	PP	PP	PP
Maximum flow rate (GPM)	150	100	15
Maximum temperature	125°F (52°C)	125°F (52°C)	125°F (52°C)
Maximum differential Pressure (psi)	30	40	30
Chemical resistance	Excellent	Excellent	For water use only
Length (media)	26-1/4"	26-1/4"	26-1/4"
O-rings (dual)	EPDM	EPDM	EPDM
Shipping weight (kgs)	2.28	2.28	3.2
Carton dimensions	7" x 7" x 31"	7" x 7" x 31"	7" x 7" x 31"
Micron ratings	1A, 1, 5, 20, 50, 150	1, 5, 20, 50	5

Note: Flow rates are based on each specific application, micron rating, solids content and a number of other factors. End user should consider these factors when selecting the filter housing (or number of filter housings) needed for their particular requirement.

Pleated Cartridges

Ideal for more critical applications, offering greater efficiency, more surface area for greater throughput and reduced cost.

Depth Cartridges

Melt blown Polypropylene cartridges are recommended when depth filtration is necessary for gelatinous substances and when chemical resistance

MODEL NO	MEDIA TYPE	MICRON RATING	PER CASE
BBC-150-P1A	PP	1 Absolute	1
BBC-150-P1	PP	1	1
BBC-150-P5	PP	5	1
BBC-150-P20	PE	20	1
BBC-150-P50	PE	50	1
BBC-150-PM150	Mesh	150	1

MODEL NO	MEDIA TYPE	MICRON RATING	PER CASE
BBC-150-P1A	PP	1 Absolute	1
BBC-150-P1	PP	1	1
BBC-150-P5	PP	5	1
BBC-150-P20	PE	20	1
BBC-150-P50	PE	50	1
BBC-150-PM150	Mesh	150	1

Activated Carbon

Ideal for whole house filtration to reduce chlorine, taste, odours and sediment.

MODEL NO	MAX FLOW	CAPACITY	CHLORINE REDUCTION
BBC-150-ACP	15 GPM	140,000 Gals	90%

Prosep Filter Systems Ltd
Unit G19, River Bank Way,
Lowfields Business Park, Elland,
West Yorkshire HX5 9DN

Phone: 01422 377367
Fax: 01422 377369
email: sales@prosep.co.uk
www.prosep.co.uk

for all your filter requirements