

PHV Singles and Multi Filter Housings

Air / Gas filtration



- Atmospheric pressure range of vent housings
- Available in 1, 3, 5, 8 and 12 round in 10 to 40"
- Range of industry standard connections
- Suitable for group 2 gases



Specifications

Materials of Construction

Housing: 316L/1.4404

Surface Finish

Internal: Mechanical polishing
External: Mechanical mirror polishing

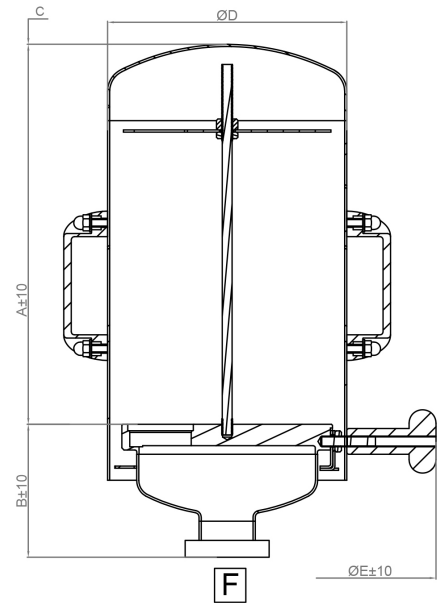
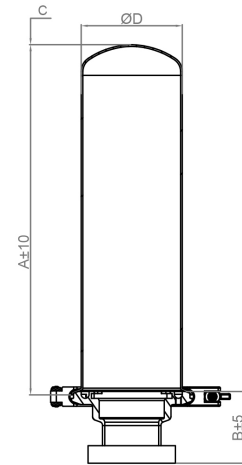
Cartridge Socket: C (226) style
Number of Cartridges: 1, 3, 5, 8, 12

ATEX Regulation: Group 2, CAT 2 Gas & Dust
Fluid GR IIC, Zone 1 & 21

Certification: Supplied as standard with IOMI and vessel inspection certificate

Dimensions

| Cartridge number and height | A | B | | | | Weld | C | Handles | ØD | ØE |
|-----------------------------|------|----------------|----------------------|---------------------|-----|------|-----|---------|-----|----|
| | | Clamp ASME BPE | DIN 11851 Liner Part | DIN 11851 Male part | | | | | | |
| 01 x 10" | 315 | 43 | 59 | 64 | 70 | 300 | No | 88.9 | 130 | |
| 01 x 20" | 565 | 43 | 59 | 64 | 70 | 550 | No | 88.9 | 130 | |
| 01 x 30" | 815 | 43 | 59 | 64 | 70 | 800 | No | 88.9 | 130 | |
| 01 x 40" | 1065 | 43 | 59 | 64 | 70 | 1050 | No | 88.9 | 130 | |
| | | | | | | | | | | |
| 03 x 10" | 351 | 97 | 127 | 126 | 143 | 300 | No | 219 | 400 | |
| 03 x 20" | 601 | 97 | 127 | 126 | 143 | 550 | Yes | 219 | 400 | |
| 03 x 30" | 851 | 97 | 127 | 126 | 143 | 800 | Yes | 219 | 400 | |
| 03 x 40" | 1101 | 97 | 127 | 126 | 43 | 1050 | Yes | 219 | 400 | |
| | | | | | | | | | | |
| 05 x 10" | 345 | 106 | 133 | 142 | 150 | 300 | No | 219 | 400 | |
| 05 x 20" | 595 | 106 | 133 | 142 | 150 | 550 | Yes | 219 | 400 | |
| 05 x 30" | 845 | 106 | 133 | 142 | 150 | 800 | Yes | 219 | 400 | |
| 05 x 40" | 1095 | 106 | 133 | 142 | 150 | 800 | Yes | 219 | 400 | |
| | | | | | | | | | | |
| 08 x 10" | 349 | 120 | 147 | 156 | 164 | 300 | No | 273 | 440 | |
| 08 x 20" | 599 | 120 | 147 | 156 | 164 | 550 | yes | 273 | 440 | |
| 08 x 30" | 849 | 120 | 147 | 156 | 164 | 800 | yes | 273 | 440 | |
| 08 x 40" | 1099 | 120 | 147 | 156 | 164 | 1050 | yes | 273 | 440 | |
| | | | | | | | | | | |
| 12 x 10" | 346 | N.A. | 179 | 192 | 202 | 300 | No | 400 | 570 | |
| 12 x 20" | 596 | N.A. | 179 | 192 | 202 | 550 | Yes | 400 | 570 | |
| 12 x 30" | 846 | N.A. | 179 | 192 | 202 | 800 | Yes | 400 | 570 | |
| 12 x 40" | 1096 | N.A. | 179 | 192 | 202 | 1050 | Yes | 400 | 570 | |



Ordering Information

PHV **XX** **X** **7** **XXXX**

| Code | Cartridge Number | Code | Length (Nominal) | Code | Clamp ASME BPE ^F | Available for filter housing |
|------|------------------|------|------------------|------|-----------------------------|------------------------------|
| 01 | 1 cartridge | 1 | 10" (250mm) | T020 | 2" | 01 |
| 03 | 3 cartridges | 2 | 20" (500mm) | T030 | 3" | 03 |
| 05 | 5 cartridges | 3 | 30" (750mm) | T040 | 4" | 05, 08 |
| 08 | 8 cartridges | 4 | 40" (1000mm) | | | |
| 12 | 12 cartridges | | | | | |

| Code | DIN 11851 Liner Part ^F | Available for filter housing |
|------|-----------------------------------|------------------------------|
| L050 | DN50 | 01 |
| L080 | DN80 | 03 |
| L100 | DN100 | 05, 08 |
| L150 | DN150 | 12 |

| Code | Weld ASME BPE ^F | Available for filter housing |
|------|----------------------------|------------------------------|
| W051 | Ø50.8 x 1.65 | 01 |
| W076 | Ø76.2 x 1.65 | 03 |
| W101 | Ø101.2 x 2.11 | 05, 08 |

| Code | DIN 11851 Male Part ^F | Available for filter housing |
|------|----------------------------------|------------------------------|
| M050 | DN50 | 01 |
| M080 | DN80 | 03 |
| M100 | DN100 | 05, 08 |
| M150 | DN150 | 12 |

| Code | Weld ISO 1127-1 ^F | Available for filter housing |
|------|------------------------------|------------------------------|
| W168 | Ø168.3 x 2.00 | 12 |



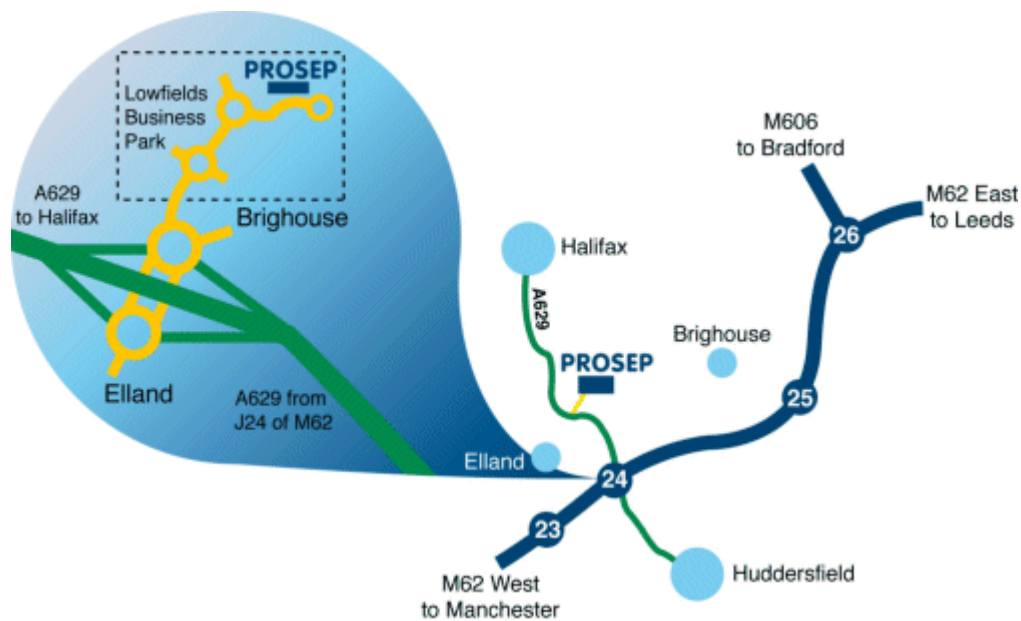
Parker has a continuous policy of product development and although the company reserves the right to change specifications, it attempts to keep customers informed of any alterations. This publication is for general information only and customers are requested to contact our sales department for detailed information and advice on a products suitability for specific applications. All products are sold subject to the company's standard of sale.

PROSEP FILTER SYSTEMS LTD
Unit G19
River Bank Way
Lowfields Business Park
Elland
West Yorkshire
HX5 9DN

Tel: 01422 377367
Fax: 01422 377369

Email: enquiries@prosep.co.uk
www.prosep.co.uk

Map and Directions to Prosep Filters Limited



Leave M62 at Junction 24.
At roundabout adjacent to Cedar Court Hotel take 2nd exit onto dual carriageway (A629), signposted Halifax.
Take 1st exit slip road.
At roundabout at end of sliproad, take 3rd exit off.
This is the entrance to Lowfields Business Park.
Proceed straight over 1st roundabout.
At next roundabout take 2nd exit onto River Bank Way - Prosep Filters can be found on the left after the S-bend.

[Link to Google Maps](#)