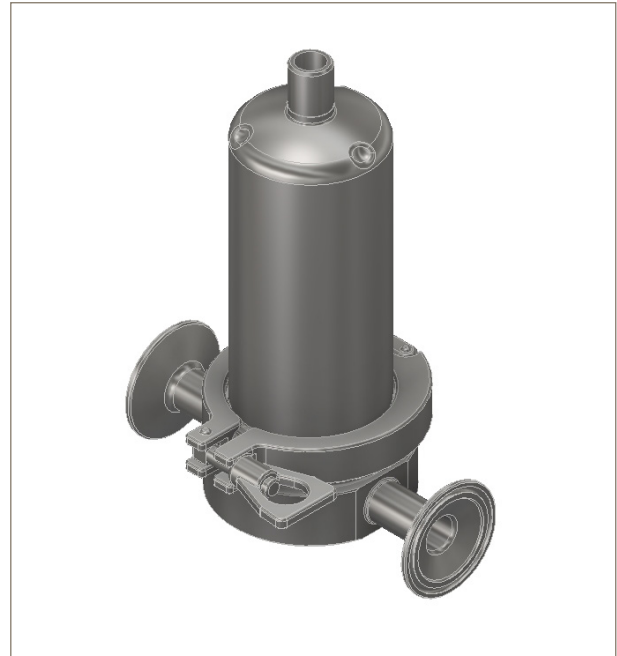




PHF Demi Filter Housing

Industrial air / liquid

- Industrial demi element air / liquid housings
- Available in 5" with Demi Z style locator
- Range of closure options



Specifications

Materials of Construction

Housing: 316L/1.4404

Surface Finish

Internal Upstream: Mechanical polishing
Internal Downstream: BSP: Mechanical polishing to $<0.8\mu\text{m Ra}$
Triclamp: Mechanical polishing to $<0.4\mu\text{m Ra}$
External: Mechanical polishing

Cartridge Socket: Z style
Number of Cartridges: 1

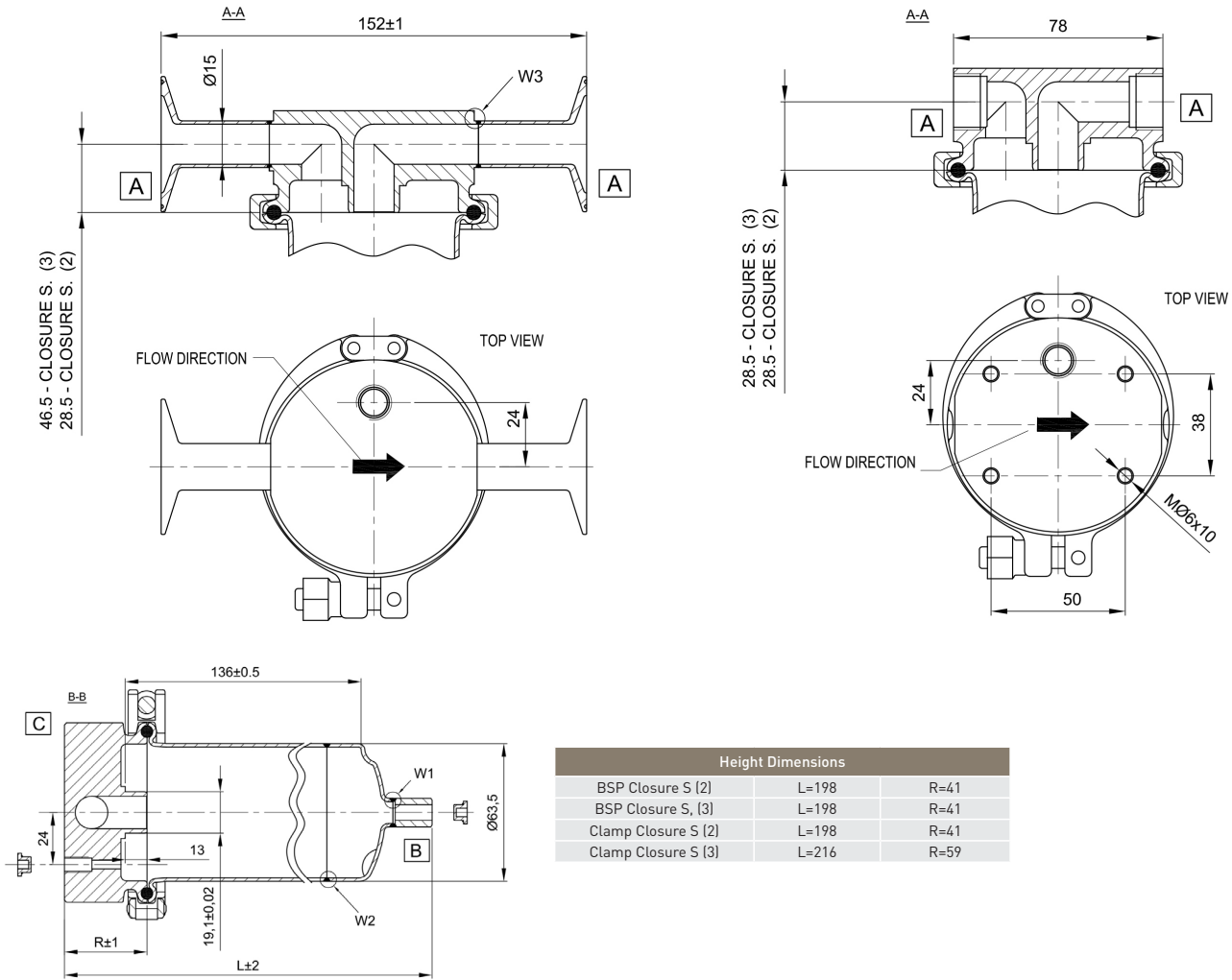
Technical Design Data

Design Code: PED 2014/68/EU
PED Category: SEP (Art 4.3)
PED Fluid Group: 1 or 2
PED Fluid State: Gas or Liquid
ATEX Regulation: Group 2, CAT 2 Gas & Dust
Fluid GR IIC, Zone 1 & 21

Design Pressure: -1 to 10 bar at 150°C

Certification: Supplied as standard with IOMI and vessel inspection certificate

Dimensions



Ordering Information

PHF	01	A	J	X	X	X	X	M	X	XXXX	
Code	Gasket Material	Code	Closure System **	Code	Drain Connection ^A	Code	Drain Connection ^B	Code	Internal Roughness *	Code	Connections ^A
S	Silicone	C	Standard Clamp	7	BSPT Female 1/4"	7	BSPT Female 1/4"	8	Ra<0.8 micron	B005	BSPT female 0.5"
		B	Bolted Clamp								
		H	Heavy Bolted Clamp								

PHF	01	A	J	X	X	X	X	M	X	XXXX	
Code	Gasket Material	Code	Closure System **	Code	Drain Connection ^A	Code	Drain Connection ^B	Code	Internal Roughness *	Code	Connections ^A
S	Silicone	C	Standard Clamp	7	BSPT Female 1/4"	7	BSPT Female 1/4"	4	Ra<0.4 micron	T010	Triclamp 1.0"
		B	Bolted Clamp								
		H	Heavy Bolted Clamp								

* Internal roughness 0.8/0.4µm Ra is guaranteed on downstream only.

** Closure system C and B for PED Group 2, H for PED Group 1

Vent and drain plugs/blanks not supplied as standard, available as separate parts.



Parker has a continuous policy of product development and although the company reserves the right to change specifications, it attempts to keep customers informed of any alterations. This publication is for general information only and customers are requested to contact our sales department for detailed information and advice on a products suitability for specific applications. All products are sold subject to the company's standard of sale.



01422 377367



enquiries@prosep.co.uk

PROSEP
FILTER SYSTEMS LTD

WE ARE YOUR **'ONE STOP SHOP'** FOR ALL
OF YOUR FILTRATION REQUIREMENTS

LIQUID FILTRATION

- CARTRIDGES
- FILTER BAGS
- VESSELS
- STRAINERS

AIR FILTRATION

- VENT FILTERS
- STERILE AIR
- VACCUM
- AIR-CONDITIONING
- FILTER MEDIA

DOMESTIC

- ULTRAVIOLET
- TREATMENT OF BOREHOLES,
SPRINGS & WELLS
- WATER TESTING

FUEL FILTRATION

- DIESEL, AVIATION



Prosep Filter Systems Ltd
Unit G19, River Bank Way,
Lowfields Business Park,
Elland, West Yorkshire
HX5 9DN

Phone: 01422 377367
email: sales@prosep.co.uk
www.prosep.co.uk



for all your filter requirements