



PHS Single and Demi Filter Housings

Air / Gas Filtration

- Flow efficient range of air and gas housings designed for food and beverage and biopharmaceutical applications
- Demi (TRUESEAL) and K-40'' (226) housings
- Range of surface finish specifications
- Full material traceability
- Food grade compliance EC 1935/2004



Specifications

Materials of Construction

Housing: 316L/1.4404

Surface Finish

Internal Upstream: Mechanical polishing <math><0.8\mu\text{m Ra}</math>
Internal Downstream: Mechanical polishing <math><0.8\mu\text{m Ra}</math>
Mechanical polishing <math><0.4\mu\text{m Ra}</math>
External: Mechanical mirror polishing

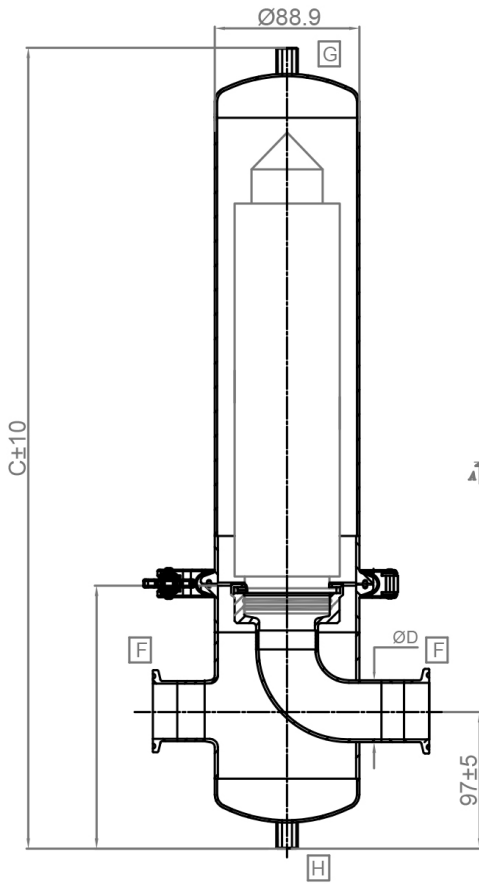
Cartridge Socket: C (226), TRUESEAL
Number of Cartridges: 1

Technical Design Data

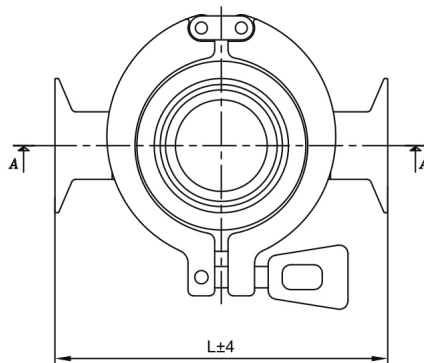
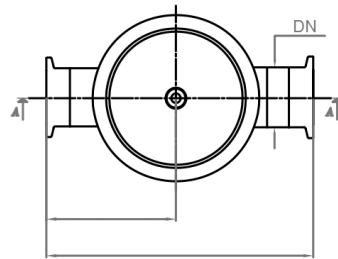
Design Code: PED 2014/68/EU
PED Category: SEP (Art 4.3)
CAT 1 for PHS 30'' and 40''
PED Fluid Group: PHS Demi Group 1 & 2
PHS K-40'' Group 2 only
PED Fluid State: Gas
ATEX Regulation: Group 2, CAT 2 Gas & Dust
Fluid GR IIC, Zone 1 & 21

Design Pressure: -1 to 10 bar at -20°C to 150°C

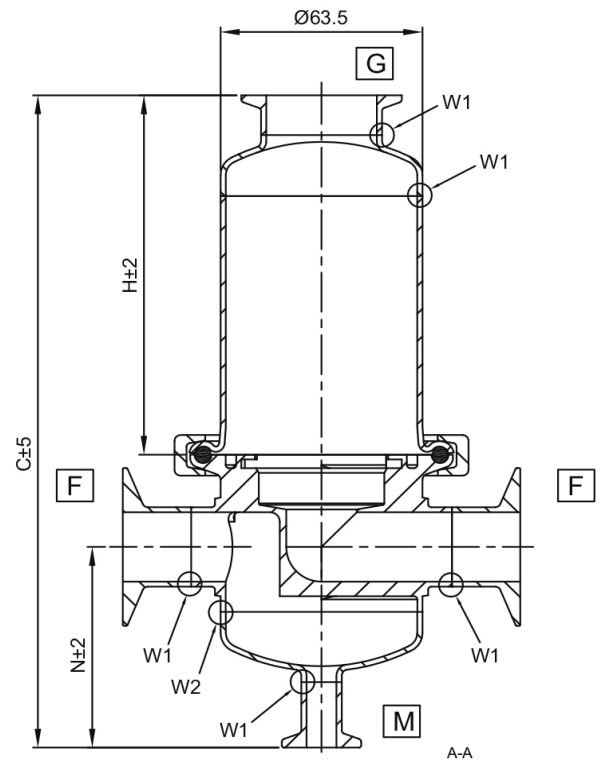
Dimensions



Model	K	10"	20"	30"	40"
Cartridges number x Height (inches)	0.1 x 05"	01 x 10"	01 x 20"	01 x 03"	01 x 40"
PED category	Art. 4.3	Art. 4.3	Art. 4.3	I	I
C mm (with vent)	380	500	750	1000	1250
Total vessel volume litres	2.2	3.0	4.0	6.0	7.0
Bowl weight kg	0.7	1.1	1.9	2.7	3.5
Total net weight kg	2.6	3.0	4.0	5.0	6.0
Total weight packed kg	3.6	4.0	5.0	6.0	7.0



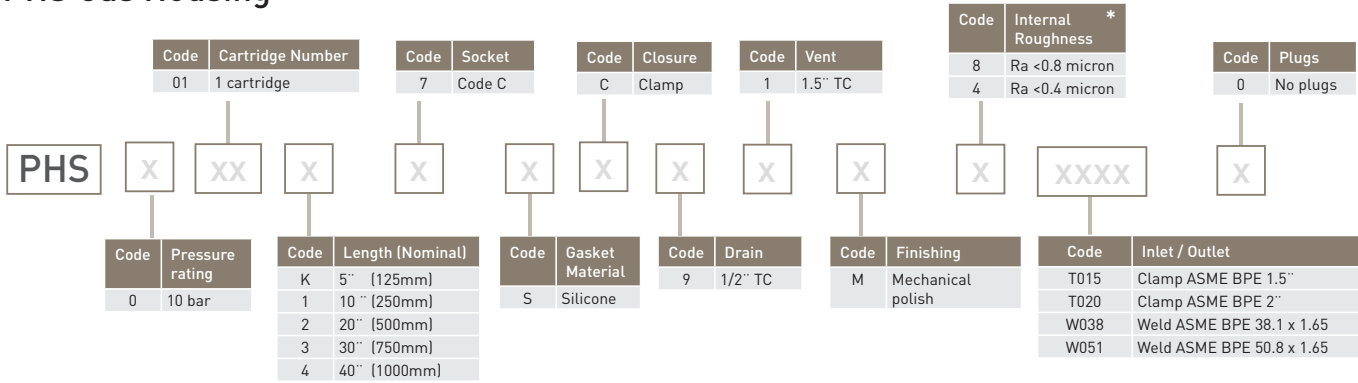
Dimensional Data		
In/out connection	TC 1.0"	
Cartridge height	2.5"	5"
PED Category	Art. 4.3	Art. 4.3
C (mm)	212	268
H (mm)	111	167
N (mm)	67	67
L (mm)	92	92



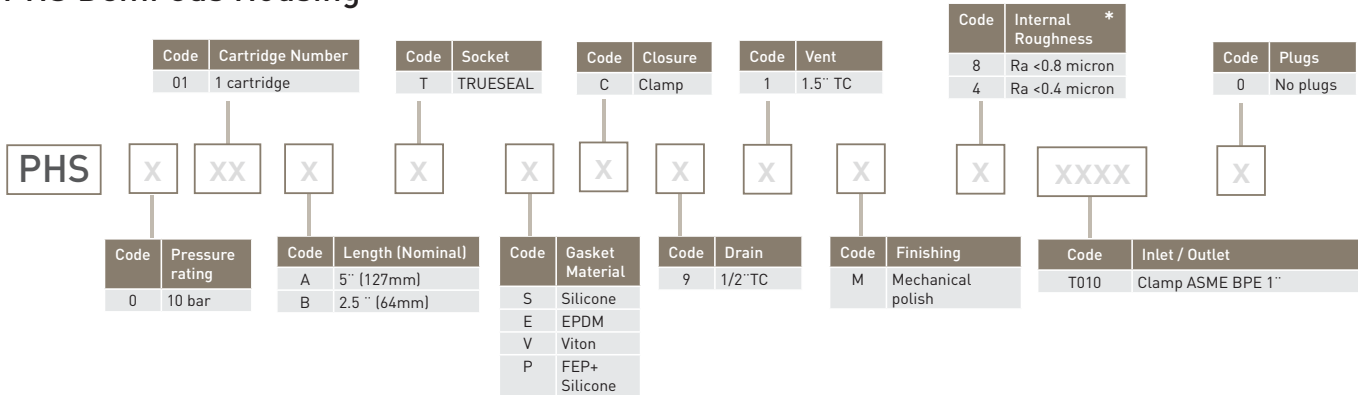
Parker has a continuous policy of product development and although the company reserves the right to change specifications, it attempts to keep customers informed of any alterations. This publication is for general information only and customers are requested to contact our sales department for detailed information and advice on a products suitability for specific applications. All products are sold subject to the company's standard of sale.

Ordering Information

PHS Gas Housing



PHS Demi Gas Housing



* Internal roughness 0.4µm Ra / 0.8µm Ra is guaranteed on downstream only.

* Vent and drain plugs/blanks not supplied as standard, available as separate parts.





01422 377367



enquiries@prosep.co.uk

PROSEP
FILTER SYSTEMS LTD

WE ARE YOUR **'ONE STOP SHOP'** FOR ALL
OF YOUR FILTRATION REQUIREMENTS

LIQUID FILTRATION

- CARTRIDGES
- FILTER BAGS
- VESSELS
- STRAINERS

AIR FILTRATION

- VENT FILTERS
- STERILE AIR
- VACCUM
- AIR-CONDITIONING
- FILTER MEDIA

DOMESTIC

- ULTRAVIOLET
- TREATMENT OF BOREHOLES,
SPRINGS & WELLS
- WATER TESTING

FUEL FILTRATION

- DIESEL, AVIATION



Prosep Filter Systems Ltd
Unit G19, River Bank Way,
Lowfields Business Park,
Elland, West Yorkshire
HX5 9DN

Phone: 01422 377367
email: sales@prosep.co.uk
www.prosep.co.uk



for all your filter requirements