

# Filter Housings

For Cartridge Sediment Filters

100-X

30-S



Racor Village Marine offers stainless steel (SS316) filter housings specifically designed for seawater use.

Simple but secure closure systems allow quick cartridge change. Powder coated shells offer superior corrosion resistance. Fasteners and clamps are stainless steel.

## Contact Information:

Parker Hannifin Corporation  
**Racor Division/Village Marine Tec.**  
2000 W. 135th St.  
Gardena, CA 90249

phone 310 516 9911  
fax 310 538 3048  
racor@parker.com  
www.villagemarine.com

[www.parker.com/racor](http://www.parker.com/racor)



Village Marine 100-X



Village Marine 30-S



ENGINEERING YOUR SUCCESS.

# Filter Housings

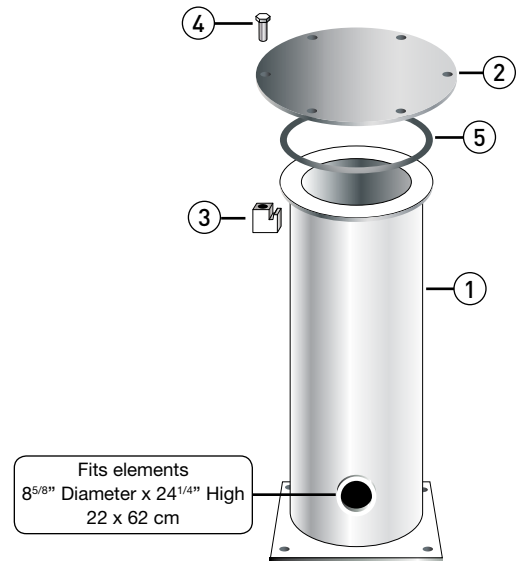
For Cartridge Sediment Filters

100-X

30S

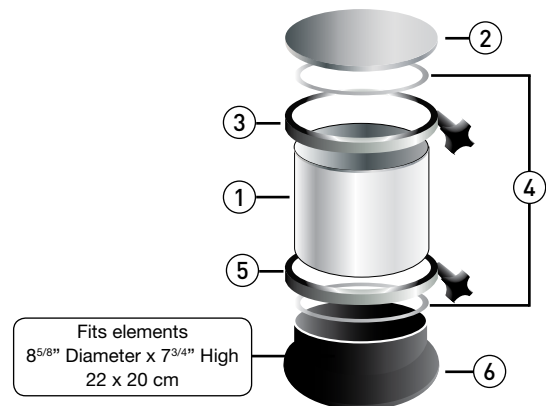
## Model 100-X

Model	DWG	Description	Part Number	Inlet Outlet
100-X		Filter Assembly	30-0101	1.5" NPT
	1	Shell	33-0114	
	2	Lid	34-0102	
	3	Clamps (each)	30-1510	
	4	Fasteners (each)	86-0382	
	5	O-ring	32-0007	



## Model 30-S

Model	DWG	Description	Part Number	Inlet Outlet
30-S		Filter Assembly	30-0030	1.5" NPT
	1	Shell	33-0110	
	2	Lid	33-0033	
	3	Top Clamp	90-0002	
	4	O-ring (each)	33-0405	
	5	Bottom Clamp	90-0003	
	6	Base	33-0300	



To maintain peak performance always use genuine Parker-Racor/Village Marine Tec. replacement parts. We reserve the right to change our specifications or standards without notice.

PROSEP FILTER SYSTEMS LTD  
Unit G19  
River Bank Way  
Lowfields Business Park  
Elland  
West Yorkshire  
HX5 9DN

**Tel: 01422 377367**

**Fax: 01422 377369**

Email: [enquiries@prosep.co.uk](mailto:enquiries@prosep.co.uk)

[www.prosep.co.uk](http://www.prosep.co.uk)

**Map and Directions to Prosep Filters Limited**



Leave M62 at Junction 24.

At roundabout adjacent to Cedar Court Hotel take 2nd exit onto dual carriageway (A629), signposted Halifax.

Take 1st exit slip road.

At roundabout at end of sliproad, take 3rd exit off.

This is the entrance to Lowfields Business Park.

Proceed straight over 1st roundabout.

At next roundabout take 2nd exit onto River Bank Way - Prosep Filters can be found on the left after the S-bend.

[Link to Google Maps](#)