

## PRODUCT INFORMATION

**PROSEP**  
FILTER SYSTEMS

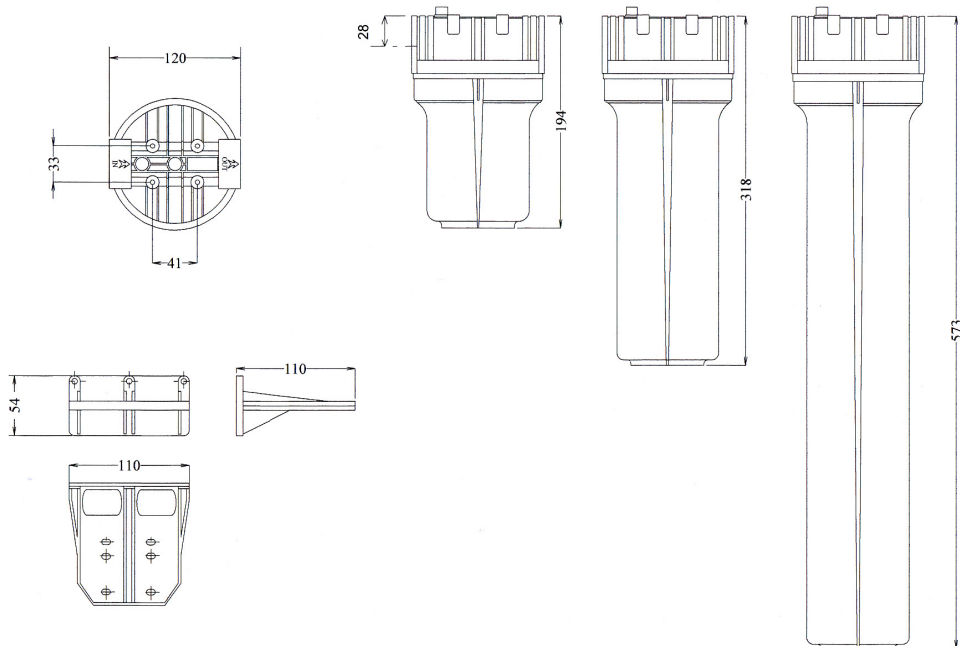
### AQUA HOUSING



#### Specification:

Head:	Filled polypropylene
Bowl:	Transparent SAN or Opaque polypropylene
O-Ring Options:	Nitrile, EPDM or Viton
Relief Valve:	Optional
Working Pressure:	8 bar max
Bursting Pressure:	35 bar
Working Temperature:	50 Deg C
Cyclic Pressure Test:	Passed 200,000 cycles from 0-10 bar

Dimensions shown for 3/4" ported versions



**Prosep Filter Systems Ltd**  
Unit G19, River Bank Way,  
Lowfields Business Park, Elland,  
West Yorkshire HX5 9DN

**Phone: 01422 377367**  
Fax: 01422 377369  
email: [sales@prosep.co.uk](mailto:sales@prosep.co.uk)  
[www.prosep.co.uk](http://www.prosep.co.uk)

*for all your filter requirements*