

PRODUCT INFORMATION

PROSEP
FILTER SYSTEMS LTD

Type 49 single cartridge housing



This style of filter housing is designed to accept industry Standard depth and pleated filter cartridges that have an outside diameter of up to 70mm.

The design is suitable for three standard cartridge lengths 10", 20" & 30" the cartridge sealing style to be double open ended.

Construction is in 316L stainless steel for all wetted parts. Access to the filter cartridge is via a quick release vee band style clamp.

STANDARD CARTRIDGE OPTIONS

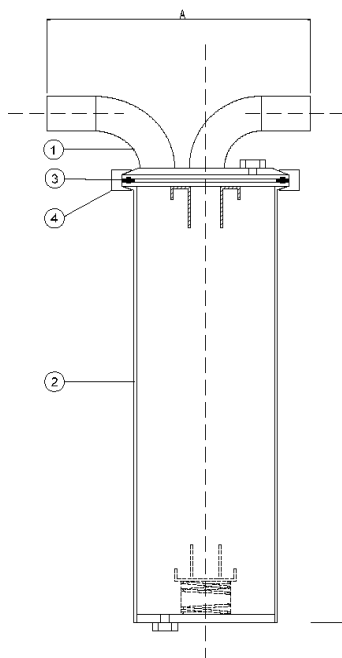
Type	Micron range	Lengths
Wound Polypropylene	1—100 microns	10" - 30"
Spun polypropylene	1—100 microns	10" - 30"
Pleated polyester	5—50 microns	10" - 30"
Pleated polypropylene	0.5—100 microns	10" - 30"
Powder carbon block	0.6—10 microns	10" - 30"
Washable mesh	80—250 microns	10" & 20"
All welded stainless steel	5—840 microns	10" - 30"

SPECIFICATION

Material	316L stainless steel for wetted parts
Pressure	10 bar
Temperature	110 degrees C
Connection size	1/2" & 3/4"
Connection types	BSP, Triclamp, RJT
Seal options	EPDM, viton

STANDARD VESSEL RATED 10 BARG @110 DEG C

Part No	Element	Connection	A	B	Seal
490105AE	10"	1/2" BSPM	188mm	365mm	EPDM
490175AE	10"	3/4" BSPM	188mm	365mm	EPDM
490205AE	20"	1/2" BSPM	188mm	619mm	EPDM
490275AE	20"	3/4" BSPM	188mm	619mm	EPDM
490305AE	30"	1/2" BSPM	188mm	873mm	EPDM
490375AE	30"	3/4" BSPM	188mm	873mm	EPDM



Prosep Filter Systems Ltd
Unit G19, River Bank Way,
Lowfields Business Park,
Elland, West Yorkshire
HX5 9DN

Phone: 01422 377367
email: sales@prosep.co.uk
www.prosep.co.uk



for all your filter requirements