

# HSL Filter Housings

Sanitary Liquid



- Single element sanitary liquid housing
- Designed specifically for the food & beverage and pharmaceutical industries
- Sanitary tri-clamp body closure as standard
- STANDARD product
  - Sanitary surface finish
  - Tri-clamp connections
- PLUS product
  - Available in 3 different vessel classes: Standard (CE), Atex and High Pressure
  - Sanitary or sanitary electropolished surface finish options
  - Wide range of vent and drain connections
  - Choice of gasket and seal materials

## Specification

### STANDARD Range

#### Materials of Construction

- Housing: 316L Stainless Steel
- Seals: Silicone FDA
- Clamps: 304 Stainless Steel

#### Surface Finish

- Internal: Polished 0.4  $\mu\text{m Ra}$  (16  $\mu\text{In Ra}$ )
- External: Polished 0.25  $\mu\text{m Ra}$  (10  $\mu\text{In Ra}$ )

All finishes pickled & passivated.

### PLUS Range

#### Materials of Construction

- Housing: 316L Stainless Steel
- Seals: EPDM FDA  
PTFE FDA  
Silicone FDA  
Viton® / FKM FDA
- Clamps: 304 Stainless Steel

#### Surface Finish

- Sanitary Finish
  - Internal: Polished 0.4  $\mu\text{m Ra}$  (16  $\mu\text{In Ra}$ )
  - External: Polished 0.25  $\mu\text{m Ra}$  (10  $\mu\text{In Ra}$ )

- Sanitary Electropolished Finish

- Internal: Electropolished 0.4  $\mu\text{m Ra}$  (16  $\mu\text{In Ra}$ ) and Electropolished
- External: Polished 0.25  $\mu\text{m Ra}$  (10  $\mu\text{In Ra}$ )

### Welding

All assembly welds are full penetration. All welds are crevice and undercut free. Weld finish & detail drawings available upon request.

### Certification

Supplied as standard with vessel inspection certificate.

### Material Test Certification

EN10204 3.1 supplied upon request.

### Design Code

Housings designed in accordance with the European Council Pressure Equipment Directive (PED) 97/23/EC and the UK statutory Pressure Equipment Regulations (PER) 1999 N° 2001.

### Design Basis

ASME VIII Division 1.

# HSL Filter Housings Sanitary Liquid

## Standard Range

Working Condition PED 97/23/EC			Maximum Pressure				
Fluid Group	State	Temperature	01A	01B	011	012	013
Non Dangerous	Liquid / Gas	150 °C (302 °F)	10 barg (145 psig)	10 barg (145 psig)	10 barg (145 psig)	10 barg (145 psig)	10 barg (145 psig)
Dangerous	Liquid / Gas	150 °C (302 °F)	10 barg (145 psig)	10 barg (145 psig)	5 barg (72.5 psig)	5 barg (72.5 psig)	5 barg (72.5 psig)
PED Conformity Assessment Category			SEP	SEP	SEP	SEP	CAT I
Volume (litres)			0.75	0.5	2.9	4.8	6.7

## Plus Range

CE Working Condition PED 97/23/EC			Maximum Pressure						
Fluid Group	State	Temperature	01A	01B	01K	011	012	013	014
Non Dangerous	Gas / Vapour	150 °C (302 °F)	10 barg (145 psig)	10 barg (145 psig)	10 barg (145 psig)	10 barg (145 psig)	10 barg (145 psig)	10 barg (145 psig)	10 barg (145 psig)
Dangerous	Gas / Vapour	150 °C (302 °F)	10 barg (145 psig)	10 barg (145 psig)	5 barg (72.5 psig)	5 barg (72.5 psig)	5 barg (72.5 psig)	5 barg (72.5 psig)	5 barg (72.5 psig)
Non Dangerous	Liquid	150 °C (302 °F)	10 barg (145 psig)	10 barg (145 psig)	10 barg (145 psig)	10 barg (145 psig)	10 barg (145 psig)	10 barg (145 psig)	10 barg (145 psig)
Dangerous	Liquid	150 °C (302 °F)	10 barg (145 psig)	10 barg (145 psig)	5 barg (72.5 psig)	5 barg (72.5 psig)	5 barg (72.5 psig)	5 barg (72.5 psig)	5 barg (72.5 psig)
PED Conformity Assessment Category			SEP	SEP	SEP	SEP	SEP	CAT I	CAT I
Volume (litres)			0.75	0.5	1.7	2.9	4.8	6.7	8.6

ATEX Working Condition PED 97/23/EC			Maximum Pressure						
Fluid Group	State	Temperature	01A	01B	01K	011	012	013	014
Non Dangerous	Gas / Vapour	135 °C (275 °F)	10 barg (145 psig)	10 barg (145 psig)	10 barg (145 psig)	10 barg (145 psig)	10 barg (145 psig)	10 barg (145 psig)	10 barg (145 psig)
Dangerous	Gas / Vapour	135 °C (275 °F)	10 barg (145 psig)	10 barg (145 psig)	5 barg (72.5 psig)	5 barg (72.5 psig)	5 barg (72.5 psig)	5 barg (72.5 psig)	5 barg (72.5 psig)
Non Dangerous	Liquid	135 °C (275 °F)	10 barg (145 psig)	10 barg (145 psig)	10 barg (145 psig)	10 barg (145 psig)	10 barg (145 psig)	10 barg (145 psig)	10 barg (145 psig)
Dangerous	Liquid	135 °C (275 °F)	10 barg (145 psig)	10 barg (145 psig)	5 barg (72.5 psig)	5 barg (72.5 psig)	5 barg (72.5 psig)	5 barg (72.5 psig)	5 barg (72.5 psig)
PED Conformity Assessment Category			SEP	SEP	SEP	SEP	SEP	CAT I	CAT I
Volume (litres)			0.75	0.5	1.7	2.9	4.8	6.7	8.6

High Pressure Working Condition PED 97/23/EC			Maximum Pressure						
Fluid Group	State	Temperature	01A	01B	01K	011	012	013	014
Non Dangerous	Gas / Vapour / Liquid	205 °C (401 °F)	16 barg (232 psig)	16 barg (232 psig)	16 barg (232 psig)	16 barg (232 psig)	16 barg (232 psig)	16 barg (232 psig)	16 barg (232 psig)
PED Conformity Assessment Category			SEP	SEP	SEP	SEP	CAT I	CAT I	CAT I
Volume (litres)			0.75	0.5	1.7	2.9	4.8	6.7	8.6

Note: All housings are full vacuum rated.

# HSL Filter Housings

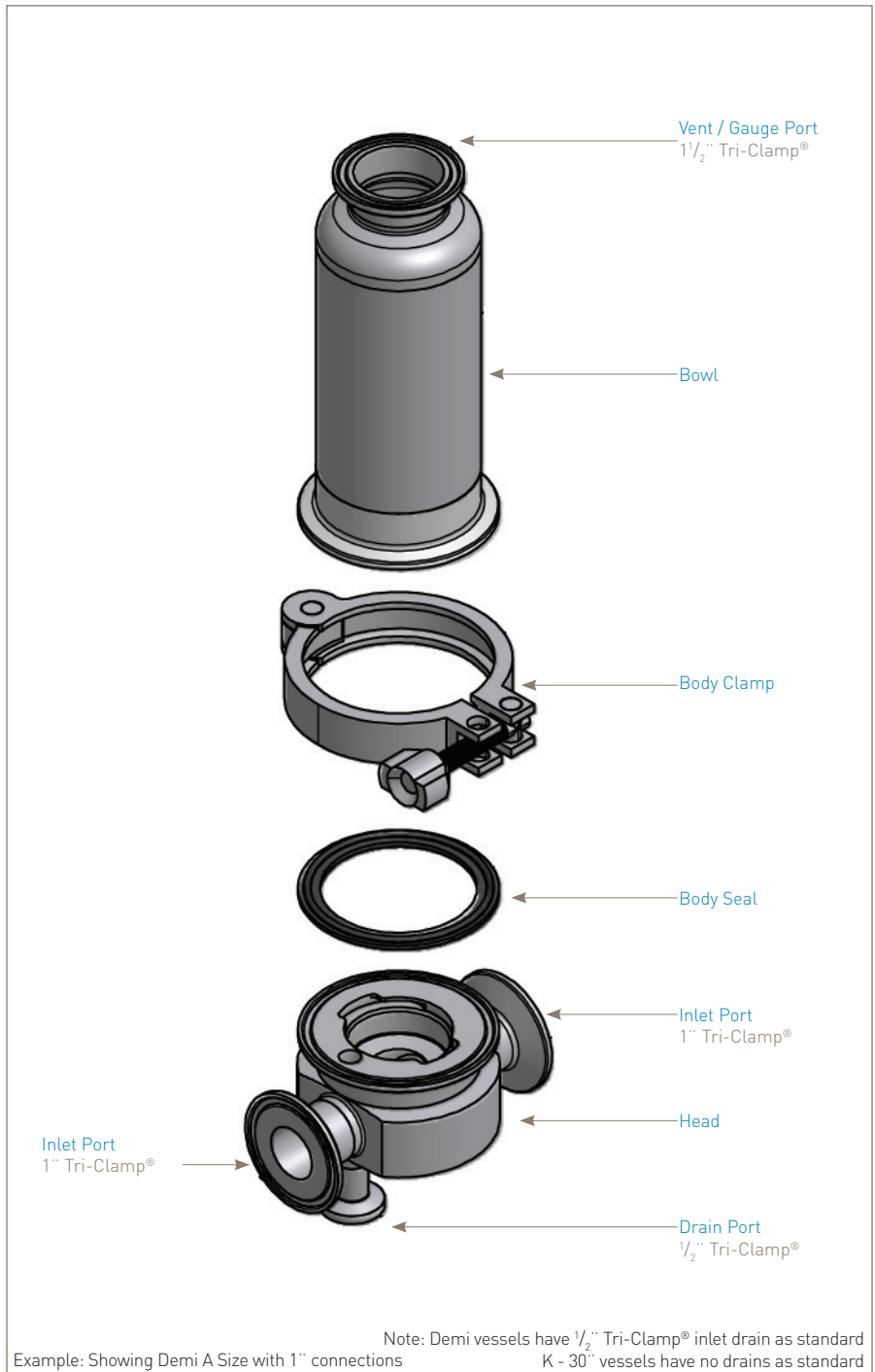
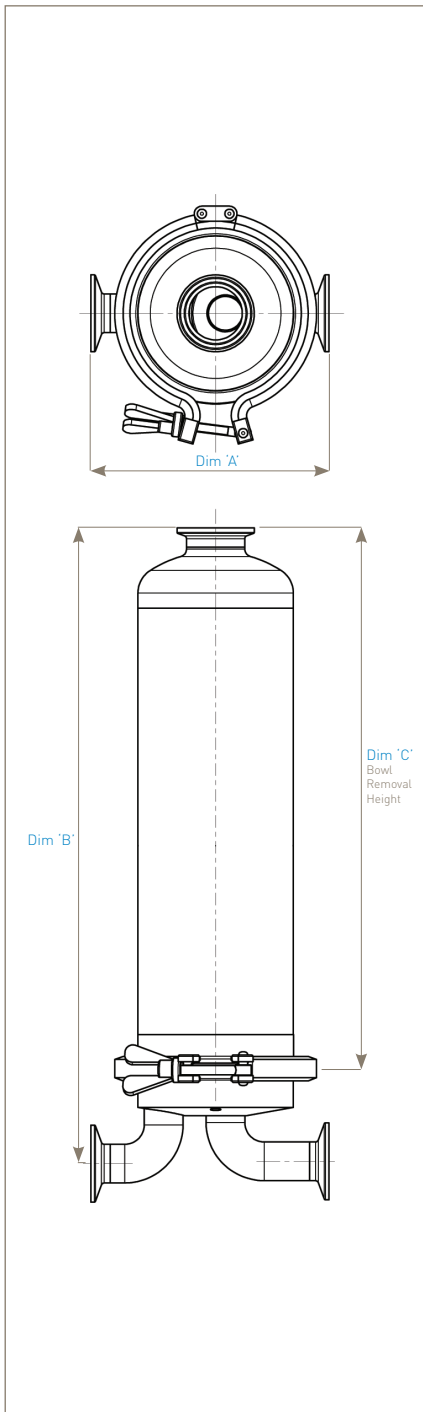
Sanitary Liquid



## Physical Characteristics

Bowl Height	Dimensions (mm)			Typical Weight
	'A'	'B'	'C'	
A Size 125 mm (5")	117 mm (4.6")	191 mm (7.5")	130 mm (5.1")	2.0 Kg (4.4lbs)
B Size 65 mm (2 1/2")	117 mm (4.6")	136 mm (5.4")	70 mm (2.8")	1.8 Kg (3.9lbs)
250 mm (10")	156 mm (6.1")	417 mm (16.4")	313 mm (12.3")	3.8 Kg (8.3 lbs)
500 mm (20")	156 mm (6.1")	667 mm (26.3")	561 mm (22.1")	4.8 Kg (10.5 lbs)
750 mm (30")	156 mm (6.1")	912 mm (35.9")	809 mm (31.8")	5.7 Kg (12.5 lbs)
1000 mm (40")	156 mm (6.1")	1160 mm (45.7")	1057 mm (41.6")	6.7 Kg (14.7 lbs)

Dimensions shown are based on the STANDARD range. For accurate dimensions, please contact Parker domnick hunter.



The PLUS product range is available with many options of connections, vents, drains, surface finish, seals classification, etc. Please see product coding.

# HSL Filter Housings Sanitary Liquid

## STANDARD Range - 10" to 30"

HSL [ ] 01 [ ] [ ] [ ] - [ ] - [ ]

Code   Vessel Class	Code   Length (Nominal)	Code   Connection Size	Code   Standard	Code   Cartridge	Code   Seal
CE Standard	1 10" (250 mm) 2 20" (500 mm) 3 30" (750 mm)	B 1" (25.4 mm)	T Tri-Clamp®	C 226	S Silicone

Note: No drain(s) as standard.

## STANDARD Range - Demi A & B

HSL [ ] 01 [ ] [ ] [ ] - [ ] - [ ]

Code   Vessel Class	Code   Length (Nominal)	Code   Connection Size	Code   Standard	Code   Cartridge	Code   Seal
CE Standard	A 5" (125 mm) B 2 1/2" (65 mm)	B 1"	T Tri-Clamp®	T 126	S Silicone

Note: 1/2" Tri-Clamp® inlet drain as standard.

## PLUS Range - K to 40"

HSL [ ] 01 [ ] [ ] [ ] [ ] [ ] [ ] - [ ] [ ] - [ ] - [ ]

Code   Vessel Class	Code   Length (Nominal)	Code   Connection Size	Code   Standard	Code   Cartridge	Code   Seal	Code   Vent	Code   Drain
CE Standard AT ATEX HP* High Pressure	K 5" (125 mm) 1 10" (250 mm) 2 20" (500 mm) 3 30" (750 mm) 4 40" (1000 mm)	B 1" (25.4 mm)	D DIN11851(M) F <sup>(1)(2)</sup> ANSI RF 150 H <sup>(2)</sup> ANSI RF 300 L <sup>(2)</sup> FLANGE ISO / DIN R RJT(M) S SMS Union (M) T Tri-Clamp® W Butt Weld BS4825 Pt.1	C 226	E EPDM P* PTFE S Silicone V Viton® / FKM	A 1 1/2" Tri-Clamp® & 2 x Rectus 21 E 1 1/2" Tri-Clamp® & 2 x Stäubli™ RBE03 H 1 1/2" Tri-Clamp® & Hosebarb I 1 1/2" Tri-Clamp® & Stäubli™ RBE03 M 1 1/2" Tri-Clamp® & 1/2" Tri-Clamp® R 1 1/2" Tri-Clamp® & Rectus 21 S Stäubli™ RBE03 Vertical T 1 1/2" Tri-Clamp® Only	H Hosebarb Inlet Only R Rectus 21 Inlet Only S Stäubli™ RBE03 Inlet Only X No Drain Y 1" Tri-Clamp® Inlet Only Z 1" TCF Inlet & Outlet

\* Supplied complete with a double bolted clamp

<sup>(1)</sup> Not suited for High Pressure Vessels. HP Vessels to use ANSI RF 300.  
<sup>(2)</sup> Flanged vessels based on 1" O.D. pipe but use 1/4" or NW20 flanges.

Code   Surface Finish	Internal	External
B Sanitary	0.4 µm	0.25 µm
P Sanitary Electropolished	0.4 µm EP	0.25 µm

Code   Tagged	Yes	No
T	Yes	No
X	No	Yes

For Tagged Options customer identification numbers required at time of ordering

## PLUS Range - Demi A & B

HSL [ ] 01 [ ] [ ] [ ] [ ] [ ] - [ ] [ ] - [ ] - [ ]

Code   Vessel Class	Code   Length (Nominal)	Code   Connection Size	Code   Standard	Code   Cartridge	Code   Seal	Code   Vent	Code   Drain
CE Standard AT ATEX HP High Pressure	A 5" (125 mm) B 2 1/2" (65 mm)	B 1"	D DIN11851 F <sup>(1)(2)</sup> ANSI RF 150 H <sup>(2)</sup> ANSI RF 300 L FLANGE ISO / DIN R RJT S SMS Union (M) T Tri-Clamp® W Butt Weld BS4825 Pt.1	T 126	E EPDM P* PTFE S Silicone V Viton™ / FKM	A 1 1/2" Tri-Clamp® & 2 x Rectus 21 B 1 1/2" Tri-Clamp® & 2 x Stäubli RBE03 H 1 1/2" Tri-Clamp® & Hosebarb I 1 1/2" Tri-Clamp® & Stäubli RBE03 M 1 1/2" Tri-Clamp® & 1/2" TCF R 1 1/2" Tri-Clamp® & Rectus 21 S Stäubli RBE03 T 1 1/2" Tri-Clamp® Only	H Hosebarb Inlet Only R Rectus 21 Inlet Only S Stäubli RBE03 Inlet Only T 1/2" Tri-Clamp® Inlet Only X No Drain

<sup>(1)</sup> Not suited for High Pressure Vessels. HP Vessels to use ANSI RF 300.  
<sup>(2)</sup> Only available in 1/4".

Code   Surface Finish	Internal	External
B Sanitary	0.4 µm	0.25 µm
P Sanitary Electropolished	0.4 µm EP	0.25 µm

Code   Tagged	Yes	No
T	Yes	No
X	No	Yes

For Tagged Options customer identification numbers required at time of ordering

Stäubli™ is a trademark of Stäubli AG.

Tri-Clamp® is a trademark of Alfa-Laval, Inc.

Viton® is a registered trademark of DuPont Performance Elastomers L.L.C..

PROSEP FILTER SYSTEMS LTD  
Unit G19  
River Bank Way  
Lowfields Business Park  
Elland  
West Yorkshire  
HX5 9DN

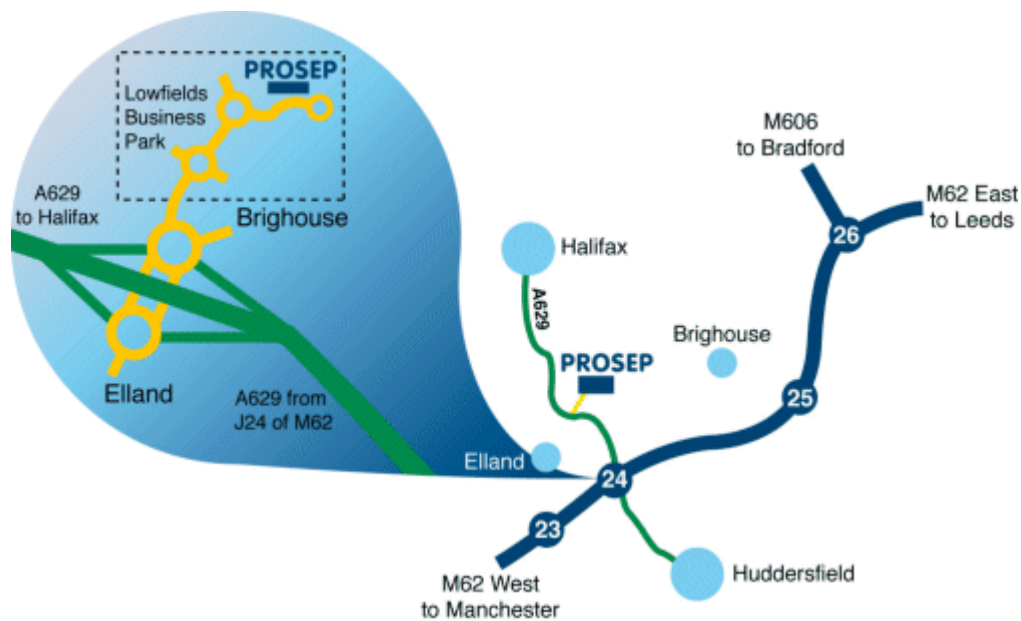
**Tel: 01422 377367**

**Fax: 01422 377369**

Email: [enquiries@prosep.co.uk](mailto:enquiries@prosep.co.uk)

[www.prosep.co.uk](http://www.prosep.co.uk)

**Map and Directions to Prosep Filters Limited**



Leave M62 at Junction 24.

At roundabout adjacent to Cedar Court Hotel take 2nd exit onto dual carriageway (A629), signposted Halifax.

Take 1st exit slip road.

At roundabout at end of sliproad, take 3rd exit off.

This is the entrance to Lowfields Business Park.

Proceed straight over 1st roundabout.

At next roundabout take 2nd exit onto River Bank Way - Prosep Filters can be found on the left after the S-bend.

[Link to Google Maps](#)